



# The LongWire

March 2008



PUBLISHED BY THE LIVERPOOL AMATEUR REPEATER CLUB

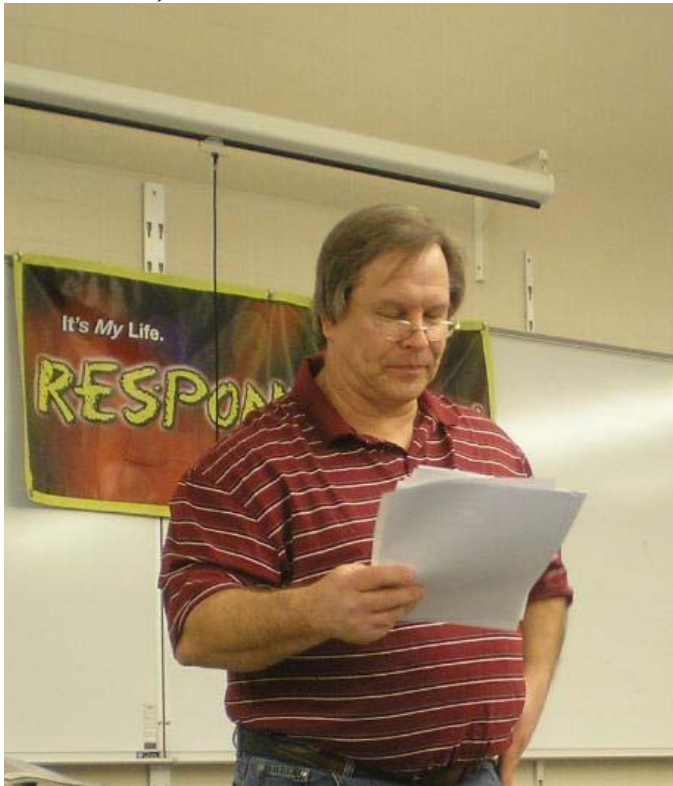


## ARRL Western New York Section Manager Visits LARC

Lee Badman, KC2IYK

By all accounts, the presentation by and discussion with Scott Bauer, W2LC, was very well received. It's nice having a direct connection to ARRL staff, and the two-way flow of radio related information can only help both LARC and the League. We look forward to welcoming Scott back in the future. Thanks very much to Scott and those who attended the meeting.

*Scott Bauer, W2LC*



(Photo courtesy of Tim Colson, N2VZD)

## Skyline Club Special Event Station at Maple Fest in April

Pat Dunn, KC2BQZ



Maple sugar, maple candy, maple syrup, maple cotton candy, ham radio transceiver, quilts, hamburgers, hot dogs, longwire antenna, maple pancakes, APRS, more maple goodies....what am I talking about?

Well it must be the Marathon Maple Festival on April 5 & 6 in Marathon New York. Yes only 50 short miles away in the same place of the world famous SARC Winterfest. Every year the Skyline Amateur Radio Club has a special event station, K2IWR, at the candy shack. We work many modes including APRS, VHF on 147.180 and 20 and 40m as well, it varies. We'll be working the special event station on Saturday and Sunday during festival hours and you're welcome to come on down and check it out. Also for the kids we do practice code and give them certificates as well.

Talk-in is on 147.180 and be sure to bring your appetite, great food and maple everything are in the offing!

## One Man's Shack...

Tim Connor, KA2VEG

Being active in ARES, OCREN and RACES I find that, because of a few physical problems that I have, I might be better able to serve as a base or relay station. I have problems walking but can operate 2 meters from my truck.

I have 6 methods to communicate from my shack:

- . CB radio
- . FRS radio
- . Landline telephone
- . Cell telephone

- . HF radio (CW, SSB, 80 thru 10 meters except 6 and 60 meters - expect to change this soon as funds become available)
- . VHF radio (2 meters only)

And the shack:



73,

Tim Connor KA2VEG



**ANTENNA:**

MQ-24SR Four band Hybrid Quad Antenna  
6-10-15-20

Main element 11 ft. Boom 4 1/2 ft.  
weight 19 lbs. wind survival 75MPH

MFG T.G.M. Communications, Stratford, ON. Can. N5A2Z8

Paul Hammond - K2QCG- **Call for price**  
call 315-699-4443 or 315-569-8455

**COLLINS COLLECTION:**

For Sale by George Kirkpatrick --  
[georgekirk@ieee.org](mailto:georgekirk@ieee.org) Phone 458-0082

Something for investment -- Classic Collins  
Receiver -- 75S-3B (\$1,100 in 1972)  
Transmitter -- 32S-3 (\$1,330 in 1972)  
AC Power Supply -- 516F-2 (\$185 in 1972)  
With Original Manuals & Power Cords too  
Make offer for this classic Collins equipment

**March LARC Presentation- A Deep Technical Review of WSYR**

Bill Bleyle, K2SYR

Just to let you know, I've completed the presentation on WSYR for the March meeting. FYI, it'll be significantly different than what Steve did for the QCWA (I know a lot of people go to both and I don't want to bore them). This presentation will be more on the technical aspects of the station, from microphone to antenna. I've got about 180 photos from behind the scenes (e.g., rack panels, data center, STL antenna farm, inside transmitters, phasor, antenna tuning units, etc.). If anyone ever wondered "how it's done", I think they'll be thrilled by the presentation. It'll also be an excellent primer for those who are thinking about HF AM. While the bulk of the presentation will be a "how its done" today, at the end I have some of the historical aspects of the stations (e.g., old RCA transmitter with CONELRAD option, transmitter site bomb shelter).

73,  
Bill

**RACES, NIMS, SKYWARN, REACT, Search and Rescue- Plenty of Opportunities for Public Service**

Lee Badman, KC2IYK

Local radio licensees are fortunate- we are part of a community where many operators give their time and skills to routine and emergency communications efforts. If you have ever contemplated taking your radio activities in a new direction, you need only contact one of these folks/groups:

- Oswego County OCEC/RACES Radio Officer John Darling K2QQY- [k2qqy@yahoo.com](mailto:k2qqy@yahoo.com)  
Web site: <http://www.oswegoraces.org/>
- Onondaga County Emergency Coordinator Viv Douglas WA2PUU- Box 2283, Syracuse, NY 13220  
Web site: (RAGS) <http://www.ragsinreview.com/emerg.html>
- Cayuga County Search and Rescue  
Web Site: <http://www.cayuganet.org/highlandsar>

## Get Involved!

### When a Good Tower Goes Bad- Antennas Run Amok in Oswego!

Submitted by Pam Cantine, KC2PAM

Tom (WT2QF) and Pam (KC2PAM) Cantine had some bad luck during the December '07 winds that hit the area. What should look like this...



...ended up looking like this:



Holy smackers- that hurts!

See more at <http://www.oswego.edu/~pallen1/tower/>

(And keep ears peeled for a potential antenna-raising party!)

---

### Operating Maritime Mobile

Amir Findling, K9CHP

I'm just back from a cruise in the Caribbean Islands with my XYL. We chose to sail with the Holland America Lines as they have a ham-friendly policy, among others.

Since the MS Noordam was of Dutch registry, I was able to operate with my FCC amateur license and a copy of the CEPT agreement available from the ARRL web site. It allowed me to operate from all our destinations but the British Virgin Islands which had their own licensing and I had decided that it was not worth the expense for such a short time. My call sign was PA/K9CHP/mm.

The first day, I waited for permission to operate from the Master of the ship. One of the ship's ranking officers came to tell me my request had been approved and that I could operate from the basketball court, so that there will be maximum separation/shielding (smokestacks) between my antenna and the ship's antenna farm.

The ship moved at 22 knots, creating its own air displacement and nature added a lot of wind to it. I tried a small antenna, a Miracle Whip and found that while reception was quite good, the antenna limiting me to QRP, I was not heard by stations I could hear. Another problem was the sea spray formed by the waves and wind. I did not use my equipment when it was present and that also reduced opportunities to operate.

I then brought out the bigger Buddipole antenna, with its tripod and 8 foot mast. I used it as a vertical antenna (the best for DX) sing 100 watts. That day the wind also was almost not a factor. I managed to make a few contacts on 20 meters, to the US and one to Suriname in South America. My time on the air was relatively short as I had plans made with my XYL etc. but I enjoyed being able to operate on board ship.

My station consisted of an Icom 706MKIIG, an 8amp SLA battery and charger, a battery booster (as the 706MKIIG is quite sensitive to low voltage), a Miracle Whip antenna, a Buddipole antenna and a MFJ -256B

analyzer. All this equipment fit in two bags, definitely not lightweight bags, but I could carry it without problems from the stateroom located just under the bridge to the aft end of the ship, a nice walk in each direction. Good exercise!



## Looking Forward to Field Day?

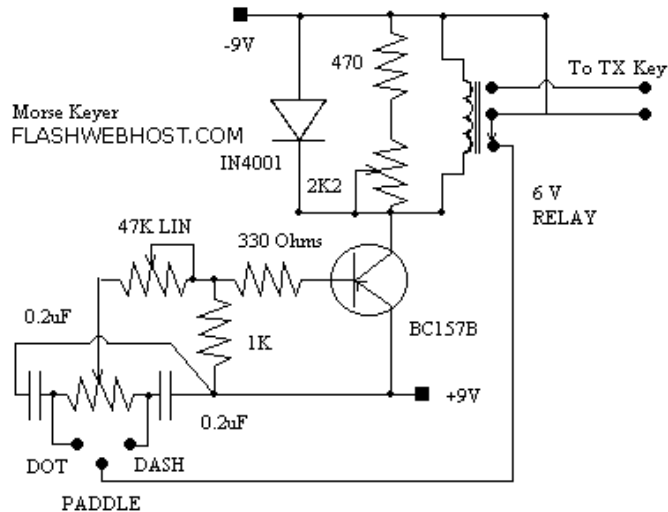
Lee Badman, KC2IYK

Things move quick around here- pretty soon plans will be getting made for Field Day 2008. It's not too soon to start contemplating this annual ritual... and Walt Bordett, N2IK, passes on this information:

The ARRL has published the 2008 Field Day Rules. There are some changes to note, and the best place to see all the details is at

<http://www.arrl.org/news/stories/2008/02/08/101/?nc=1>

## What's This?



## Recognize These Faces? N2VZD's Camera Strikes Again!





**Fester says**- Drumlins Hamfest, April 19, 2008. Contact K2OEQ for more information.

## A Year of Chasing NDBs- Advice for Beginners

Lee Badman, KC2IYK

Roughly a year ago, I got hooked on hunting Non-Directional Beacons, or NDBs. I very much consider myself a hobbyist at this activity- not on par with those who have top-end receivers, filters that cost more than my whole shack, and miles of wire on the Back 40. But I have learned a lot from those guys... Now that I have the NDB bug, I thought I'd pass on lessons learned and some tidbits that might shorten the learning curve for those who might feel like trying Lowfer hunting as something new in radio to play with. The sloooow CW might even help you get your code skills sharpened up.

1. You are not alone! Others in the area have their own advice and tales of beacon hunting. These include Todd Brown, AB2MS and Tim Colson, N2VZD. The local undisputed expert is Mr. Jack Roubie, K2JDD. Just talking about beacons with these guys is enjoyable.
2. Simple gear can take you far. I started with my portable Grundig YB 400 PE portable SW radio, then realized my FT-840 HF rig could get down that low (100-525 KHz- yes KILOhertz). My other SW portables- the Grundig G5 and Eton E1 also do well on LW. You may already have what you need to get started.
3. Long wire is helpful, but the built-in ferrite antenna will surprise you. One thing that helps with the portables- get outside and away from electrical noise. If you use your HF rig for beacon chasing- only use one side of your balanced antenna (or short both sides together) and ditch the tuner.
4. Play with your filters- I have found that using SSB on the portables helps, and using different filters on the HF rig can make a real difference in taming the wild AM environment that is LW.
5. Some nights you'll hear plenty, others not so much. This is an activity for the patient.

6. If you are using a portable, fresh batteries really help.
7. If you are using a portable, subtle movement of the radio (and thus the ferrite antenna) can make huge differences in reception.
8. Is easier to hear beacons in the colder months, but is worth playing with throughout the year.
9. Chasing beacons is fun when traveling, even if all you bring is a SW portable that can do LW. In New York City a few months back, I bagged four new beacons despite being in Noise Hell.

There are some excellent resources on the web:

- <http://www.w3eee.com/>
- <http://www.airnav.com/nav aids/>
- <http://www.classaxe.com/dx/ndb/rna/>
- <http://www.dxinfocentre.com/ndb.htm>
- <http://www.lwca.org>

My own NDB log is here:

<http://web.syr.edu/~lhadman/ndb.html>

The last several beacons I have logged are here:

<b>Freq:</b>	<b>Designator:</b>	<b>Location:</b>
266 KHz	IT	Ithaca, NY
526	ZLS	Stella, Bahamas
254	EVD	York, PA
281	QX	Gander, NL
300	YOG	Ogoki Post, ON
257	GTB	Great Bend, NY

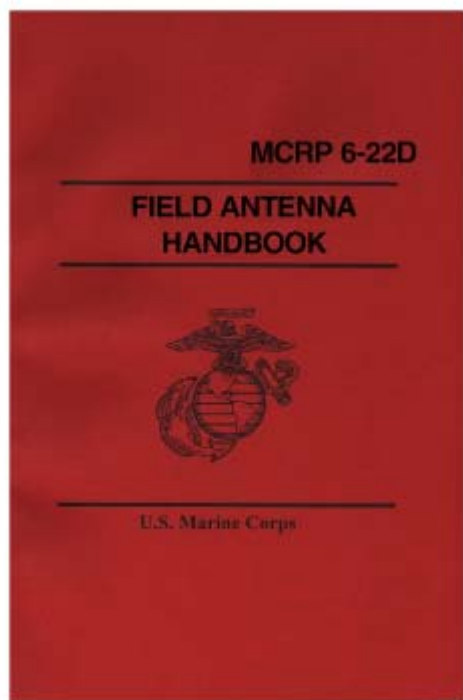


## The Best Damn Antenna Book- Period. Hoo-Rah!

Lee Badman, KC2IYK

I ran across this posting in one of the Yahoo radio groups- the US Marine Corp Field Antenna Handbook is online, available for downloading. In PDF format. In true Marine form, this book “kicks ass”. It is worth downloading and printing- although at almost 200 pages you may do better to take the file to Staples and have them print (and even bind) it.

<http://www.armymars.net/ArmyMARS/Antennas/Resources/usmc-antenna-hb.pdf>



## Where are the February LARC Meeting Minutes?

Because of personal commitments and ridiculously busy schedule, I needed to hasten the LongWire along- before the minutes were able to get to me for inclusion. I will forward the meeting minutes directly to members who get the electronic copy of the LongWire, and for everyone else I apologize for the inconvenience.

- Lee Badman, KC2IYK  
(KI2K after March 8- new call)

## Ever Worked SSTV?

Lee Badman, KC2IYK

Even if you have no desire to “send pictures over the radio”, receiving Slow Scan TV images can be an interesting diversion. There are hundreds of operators around the world transmitting SSTV images at any given time, and one hot frequency is 14230 MHz. SSTV requires a simple hookup between computer and radio (this is accomplished in a whole slew of different ways, depending on rig) and fir software, like MMSSTV- which is free for the taking on the Internet and incredibly well written. MMSSTV makes both reception and transmission of SSTV images too easy to believe, and this mode is a lot of fun.

Here are a couple of images I have received very recently:



# March 2008

Sun	Mon	Tue	Wed	Thu	Fri	Sat
<b>24</b> <ul style="list-style-type: none"> <li>•Long Island Mobile ARC Hamfest, Hicksville (K2KNB)</li> <li>•CQ WW 160-Meter SSB Contest</li> <li>•North American</li> </ul>	<b>25</b>	<b>26</b> <ul style="list-style-type: none"> <li>•7:30pm—Madison-Oneida ARC Meeting, Verona (last)</li> <li>•8:00pm—"This Week In Amateur Radio", 147.18R (KB2FAF)</li> </ul>	<b>27</b> <ul style="list-style-type: none"> <li>•6:30pm—Fulton ARC VE Session (KC2PAM)</li> <li>•7:00pm—Fulton ARC Meeting (W2TQF) (4th)</li> <li>•7:00pm—Swap</li> </ul>	<b>28</b> <ul style="list-style-type: none"> <li>•7:00pm—LARC Meeting, "An Evening With the WNY Section Manager—W2LC" (WB2DVE) (4th)</li> </ul>	<b>29</b> <ul style="list-style-type: none"> <li>•11:30am—QCWA Luncheon, Weber's restaurant (WB2PEM) (last)</li> </ul>	<b>1</b> <ul style="list-style-type: none"> <li>•0000Z—ARRL International DX (Phone) Contest begins</li> </ul>
<b>2</b> <ul style="list-style-type: none"> <li>•Lancaster ARA Hamfest, West Seneca (N2GDU)</li> <li>•2400Z—ARRL International DX (Phone) Contest ends</li> </ul>	<b>3</b> <ul style="list-style-type: none"> <li>•7:30pm—OCREC Net, 147.30R (WA2PUU) (1st)</li> </ul>	<b>4</b> <ul style="list-style-type: none"> <li>•8:00pm—"This Week In Amateur Radio", 147.18R (KB2FAF)</li> </ul>	<b>5</b> <ul style="list-style-type: none"> <li>•6:00pm—"I Have My License Class" (W2BCH)</li> <li>•7:00pm—Rome Radio Club Meeting, Griffiss (1st)</li> </ul>	<b>6</b> <ul style="list-style-type: none"> <li>•7:00pm—Camillus VE Session (KB2ERJ) (1st)</li> </ul>	<b>7</b> <ul style="list-style-type: none"> <li>•7:00pm—Rome ARC VE Session (K2GVI) (1st)</li> </ul>	<b>8</b>
<b>9</b> <ul style="list-style-type: none"> <li>•Daylight Savings Time begins</li> <li>•North American RTTY Sprint Contest</li> </ul>	<b>10</b>	<b>11</b> <ul style="list-style-type: none"> <li>•7:00pm—Central District Emergency Net, 147.00R, (N2IK)</li> <li>•8:00pm—"This Week In Amateur Radio", 147.18R (KB2FAF)</li> </ul>	<b>12</b> <ul style="list-style-type: none"> <li>•7:30pm—Skyline ARC Meeting, Cortland (KC2BQZ) (2nd)</li> <li>•6:00pm—"I Have My License Class" (W2BCH)</li> </ul>	<b>13</b> <ul style="list-style-type: none"> <li>•7:30pm—RAGS Meeting, "Tech Program" (W2BCH) (2nd)</li> </ul>	<b>14</b>	<b>15</b> <ul style="list-style-type: none"> <li>•Public Service—St. Pat's Day Parade (WA2PUU)</li> </ul>
<b>16</b> <ul style="list-style-type: none"> <li>•Palm Sunday</li> </ul>	<b>17</b> <ul style="list-style-type: none"> <li>•7:30pm—OCREC Net, 147.30R (WA2PUU) (3rd)</li> <li>•St. Patrick's Day</li> </ul>	<b>18</b> <ul style="list-style-type: none"> <li>•8:00pm—"This Week In Amateur Radio", 147.18R (KB2FAF)</li> </ul>	<b>19</b> <ul style="list-style-type: none"> <li>•6:00pm—"I Have My License Class" (W2BCH)</li> <li>•7:00pm—Swap Net, 147.00R</li> </ul>	<b>20</b> <ul style="list-style-type: none"> <li>•First Day of Spring</li> </ul>	<b>21</b> <ul style="list-style-type: none"> <li>•Good Friday</li> <li>•7:00pm—MOARC VE Session (KG2DI) (3rd)</li> </ul>	<b>22</b>
<b>23</b> <ul style="list-style-type: none"> <li>•Easter</li> </ul>	<b>24</b>	<b>25</b> <ul style="list-style-type: none"> <li>•7:30pm—Madison-Oneida ARC Meeting, Verona (last)</li> <li>•8:00pm—"This Week In Amateur Radio", 147.18R (KB2FAF)</li> </ul>	<b>26</b> <ul style="list-style-type: none"> <li>•6:30pm—Fulton ARC VE Session (KC2PAM)</li> <li>•7:00pm—Fulton ARC Meeting (W2TQF) (4th)</li> <li>•"I Have My Li-</li> </ul>	<b>27</b> <ul style="list-style-type: none"> <li>•7:00pm—LARC Meeting, "Commercial Broadcasting" (WB2DVE) (4th)</li> </ul>	<b>28</b> <ul style="list-style-type: none"> <li>•11:30am—QCWA Luncheon, Weber's Restaurant (WB2PEM) (last)</li> </ul>	<b>29</b> <ul style="list-style-type: none"> <li>•CQ WPX SSB Contest</li> </ul>
<b>30</b> <ul style="list-style-type: none"> <li>•CQ WPX SSB Contest</li> </ul>	<b>31</b>	<b>1</b> <ul style="list-style-type: none"> <li>•8:00pm—"This Week In Amateur Radio", 147.18R (KB2FAF)</li> <li>•"April Fools Day"</li> </ul>	<b>2</b> <ul style="list-style-type: none"> <li>•6:00pm—"I Have My License Class" (W2BCH)</li> <li>•7:00pm—Swap Net, 147.00R</li> </ul>	<b>3</b>	<b>4</b>	<b>5</b>

## The LongWire March 2008

Liverpool Amateur Repeater Club  
Web Page: [www.LiverpoolAmateurRepeaterClub.org](http://www.LiverpoolAmateurRepeaterClub.org)  
Club Call: W2CM

### Club Officers and Directors

President John Rockdashil-WB2DVE, 457-2139  
1st Vice President Jerry Monroe-KC2UT, 234-7901  
2nd Vice President Sam Coffey-KC2IQM, 673-1828  
Secretary Carrie Williams-KC2OPF, 451-5231  
Treasurer Linda Jackson-KC2CZH, 458-9685  
Director of the Board Walt Bordett-N2IK, 445-8161  
Sergeant at Arms Earl Dewey KB2VJSJ, 457-1671

### Repeater Trustees

146.31/146.91 Ed Schultz-KC2AWD, 668-9206  
147.81/147.21 John Storsberg-WA2U  
222.52/224.12 Art Bronstein-W2YPP, 445-1637  
448.30/443.30 Bob Jackson-WB2BJW, 458-9685

### Committees and Chairs

Membership Sam Coffey-KC2IQM, 673-1828  
Technical Committee Jerry Monroe-KC2UT, 234-7901  
LongWire Editor Lee Badman KC2IYK 689-2175  
LongWire Publisher John Soergel-WA2DGC, 437-5805

The LongWire is published monthly by LARC, the Liverpool Amateur Repeater Club. Permission is granted to other radio clubs to reprint material from The LongWire, provided that LARC is identified as the source of the material. Material published in The LongWire that is credited to other sources, may only be reprinted with the permission of that source. A sample copy of the LongWire, in PDF format via e-mail, may be requested by sending an e-mail to a club officer. Material for The LongWire should be sent to: [lhadman@syr.edu](mailto:lhadman@syr.edu) or

Lee Badman  
82 S. Hamilton Street  
Jordan, NY 13080

Material may be submitted electronically to any of the club officers through the club web site. Articles may be on any subject of general interest to radio amateurs. The deadline is generally about the end of the month. This allows us to meet our goals of having the electronic edition to members by the end of the first week of the month with the hard copy edition following within a week.

**The April deadline is March 31.**

THE LONGWIRE – March 2008  
Liverpool Amateur Repeater Club  
PO BOX 5623  
SYRACUSE, NY 13220-5623

Stamp

First Class Postage